



卫生级阀门系列  
SANITARY VALVE SERIES



# 关于金斯顿

## About KST



KST.浙江金斯流体设备有限公司 是专业生产高精度不锈钢卫生级阀门、管件及泵等流体设备的专业厂家, 产品广泛应用于乳品、食品饮料、啤酒、生物制药及日用化工等工业领域。产品为遵循GMP和FDA规范要求, 特研制出高端无菌隔膜阀以适应医药行业需求。

KST.金斯顿公司积极引进国内外先进的生产设备和制造工艺。产品严格按ISO、DIN、IDF和3A等各国工业标准要求生产, 坚持把优质材料, 先进的工艺设计, 严格的制造标准及质量保证体系紧密结合在一起, 对产品质量实行全程监控, 并已获得ISO9001国际质量认证。目前,KST.卫生级阀门系列产品辐射全国并远销欧美,中东及东南亚地区,广泛受到客户好评!

KST.金斯顿公司始终以先进的管理体系, 一流的服务, 不断提升企业自身的品质, 使“KST.金斯顿”真正成为让国内外客户满意的合作伙伴。KST.公司欢迎您的光临!

Zhejiang KINGSTONE fluid equipment Co., Ltd. was founded in the last century 90 's, is a comprehensive enterprise specialized in R & D, design, production, sales and service. After many years of development in the health industry has formed its own quality management system. Products to comply with the GMP and FDA specification requirements, the development of high-end sterile diaphragm valve to meet the needs of the pharmaceutical industry. Products to comply with the GMP and FDA specification requirements, the development of high-end sterile diaphragm valve to meet the needs of the pharmaceutical industry.

KST. company actively introduce domestic and foreign advanced production equipment and manufacturing process. Products strictly according to ISO, DIN, IDF and 3A, and other industrial standards require production, adhere to the quality materials, advanced technology design, strict manufacturing standards and quality assurance system closely together, the implementation of product quality monitoring, and has obtained ISO9001 international quality certification. At present, the KST. sanitary grade valve series products are exported to Europe and America, the Middle East and Southeast Asia, the Middle East and Southeast Asia, widely praised by customers!

Zhejiang KINGSTONE fluid equipment Co., Ltd. has always been to the advanced management system, first-class service, and constantly improve the quality of their own, so that the "KST. Kingston" truly become the domestic and foreign customers satisfied with the partners. KST. welcome your presence!



粗糙度检测仪  
Roughness detector



光谱仪  
Spectroscopic instrument



全自动焊机  
Automatic welder



KST— 品质源自努力！

KST—The high quality comes from efforts！



金斯顿隔膜阀在众多国际生物制药厂商中广泛应用





# 无滞留球阀

## NO-RETENTION BALL VALVE



### 应用

该球阀根据3A,ASME,BPE标准设计，主要应用于生物制药、食品饮料、酿酒、化工等工业领域。

### Applications

The ball valve is according to the 3A, ASME, BPE standard design, mainly used in pharmaceutical, food and beverage, wine, chemical and other industrial.

### 技术特点

全包式球阀设计，无滞留高洁净，满足CIP、SIP杀菌和清洗要求，耐高温180°C，压力30bar,自动补偿密封设计，具有扭矩小，寿命长等特点。

可配置各种执行结构，如电动、卧式气动、不锈钢立式气动、钥匙手动柄，还可以加装控制单元、定位器、位置传感器等可兼容自动控制系统。

### Technical characteristics

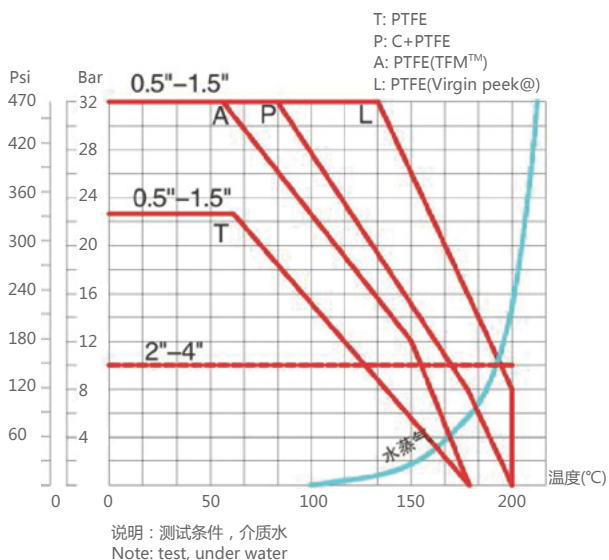
All-inclusive tee design, no retention high purity, meet the requirement of CIP and SIP sterilization and cleaning, has advantage of 180 °C, pressure 30bar, automatic compensating sealing design, small torque, long service life etc.

Available with a variety of structures, such as electric horizontal pneumatic, stainless steel, horizontal vertical pneumatic key manually handle, can also be equipped with control unit, locator, position sensor and other compatible automatic control system.





球阀压力 - 温度曲线图  
Pressure And Temperature Curve



直通无滞留球阀扭矩表，单位 ( N.M )      Operating Torque(N.M)

SIZE	1"-3/4"	DN25-1"	DN32-1 1/4"	DN40-1.5"	DN50-2"	2.5"-DN65	3"	DN80	4"-DN100
扭矩	6	10	12	14	20	40	75	90	110

注意：选择执行器建议增加20%安全余量

表面处理

所有的表面CNC，0.8μm，达到RA0.4μm，电抛光可达到0.25μm

Surface finish

CNC machining all surfaces to 0.8μm, polishing can be achieved RA0.4μm, electro-polishing can reach 0.25μm

Conversion Table of Surface Finishes

Surface Designation		Machanically Polished			
ASME BPE	GRIT	Ra Average		Ra Max	
		μ-in	μ-m	μ-in	μ-m
SFV 1	GRIT 320	15	0.375	20	0.50
SFV 2	GRIT 240	20	0.50	25	0.625
SFV 3	GRIT 180	25	0.625	30	0.75

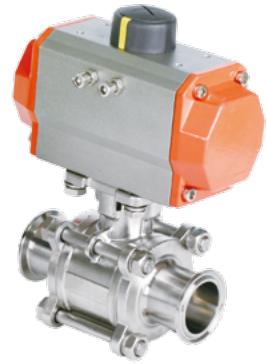
Surface Designation		Machanically and Electropolished			
ASME BPE	GRIT	Ra Average		Ra Max	
		μ-in	μ-m	μ-in	μ-m
SFV 4	GRIT 320	10	0.25	15	0.375
SFV 5	GRIT 240	15	0.375	20	0.50
SFV 6	GRIT 180	20	0.50	25	0.625

# 无滞留球阀 (三片式全包)

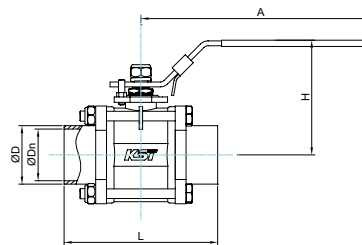
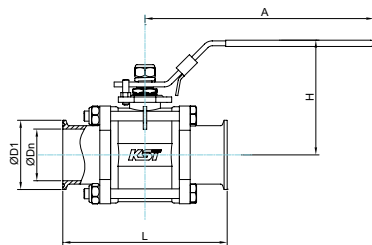
## NO-RETENTION BALL VALVE



电动无滞留球阀  
Electric non-retention ball valve



气动无滞留球阀  
Pneumatic non-retention ball valve



INCH		No.KST-VQ001				
SIZE	φDn	φD	φD1	L	H	A
0.5"	9.7	12.7	25.4	90	75	163
0.75"	16.1	19.1	25.4	90	75	163
1"	22.4	25.4	50.5	115	78	163
1.25"	28.8	31.8	50.5	125	83	163
1.5"	35.1	38.1	50.5	135	94	164
2"	47.8	50.8	64	155	99	164
2.5"	59.5	63.5	77.5	170	116	236
3"	72.2	76.2	91	195	127	236
3.5"	85	89	106	229	133	236
4"	97.6	101.6	119	241	150	236

DIN		No.KST-VQ002				
SIZE	φDn	φD	φD1	L	H	A
DN10	9	12	34	90	75	163
DN15	15	18	34	90	75	163
DN20	19	22	34	115	75	163
DN25	25	28	50.5	125	78	163
DN32	31	34	50.5	135	83	163
DN40	37	40	50.5	155	91	164
DN50	49	52	64	170	99	164
DN65	66	70	91	195	122	236
DN80	81	85	106	229	133	236
DN100	100	104	119	241	150	236



# 罐底球阀

## BALL VALVE AT THE TANK BOTTOM



### 应用

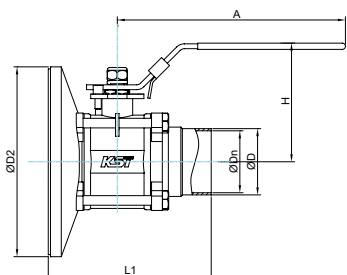
该球阀是一款专门设计应用于压力容器和储罐设备的排空和放料的罐底阀门，全球阀座和密封自动补偿设计，因此具有压力高，耐温高，扭矩小，寿命长等特点，满足于CIP和SIP清洗和杀菌。非常适合应用于高洁净要求工艺系统中如，生物制药、食品饮料、乳制品、化工等领域。

可配置各种不同执行器，如电动、气动、手动可互换。

### Applications

The ball valve is a specially designed applied to pressure vessels and equipment, including tank emptying and feeding of tank bottom valve, turnkey tee and sealing automatic compensation design, therefore, with the high pressure and high temperature resistant, torque, etc., the characteristics of long service life, meet with CIP and SIP cleaning and sterilization. Very suitable for application in high clean technology system such as biological pharmacy, food and beverage, dairy products, chemical and other fields.

A configurable various actuators, such as electric, pneumatic, manual interchangeable.



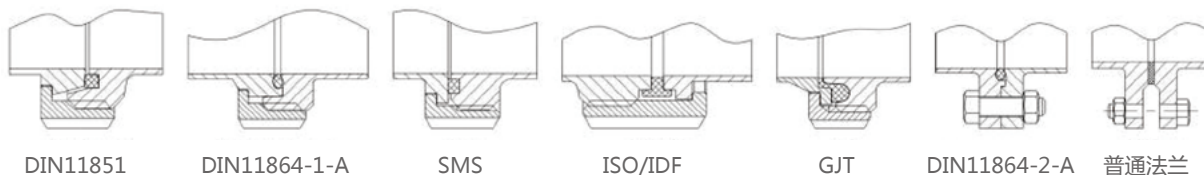
No.KST-VQ003

SIZE	ISO5211	φDn	φD	φD2	L1	H	A
DN40	1.5"	F05	35.1	38.1	140	121	91
DN50	2"	F05	47.8	50.8	140	136	99
DN65	2.5"	F07	59.5	63.5	180	164	116
DN80	3"	F07	72.2	76.2	200	184	127

罐底三片式无滞留球阀

Tank bottom three-piece non-retention ball valve

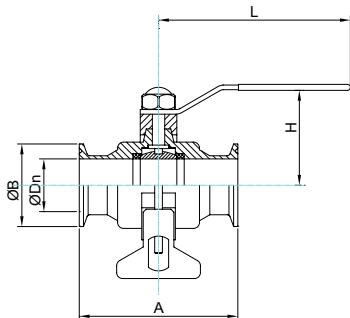
### 各种进出口连接方式 Connections





# 卡箍无滞留球阀

## CLAMP NON-RETENTION BALL VALVE



### 应用 Applications

无滞留球阀为全包式球座设计，解决了球阀液体滞留阀腔内的问题，该球阀适用于生物制药工程。

None-retention ball valve is designed with all-inclusive ball seat, which solves the problem of the medium from retaining in valves body applied to pharmacy and biotechnology industries.

### 设计和特点 Design and Features

阀体组合卡箍连接

无需专业工具即拆卸阀门

操作扭矩小

垫圈根据FDA 177.2600

连接：卡箍、焊接、螺纹、DIN、SMS、ISO、IDF、BPE、RJT

无论是何种连接方式，阀体都可进行更换，而不会改变阀门的总长度

Valve bodies Combined with clamp connection

Easily disassemble without special tools

Small Operating torque

Gasket complies with FDA 177.2600

Connection: clamp, weld, thread, DIN, SMS, ISO, IDF, BPE, RJT

Valve body can be replaced in any connections. And Valve length will not change

No.KST-VQ004

SIZE	A	L	H	B	Dn
DN15	90	105	65	34.0	15
DN20	100	105	65	34.0	19
DN25	110	105	70	50.5	25
DN32	120	130	80	50.5	31
DN40	140	150	80	50.5	37
DN50	164	160	85	64.0	49
DN65	180	180	110	91.0	66

SIZE	A	L	H	B	Dn
Φ19	90	105	65	25.4	16.0
Φ25	110	105	70	50.5	22.4
Φ32	120	105	80	50.5	28.8
Φ38	140	130	80	50.5	35.1
Φ51	164	150	85	64.0	47.8
Φ57	170	160	110	77.5	53.0
Φ63	180	180	110	77.5	59.5

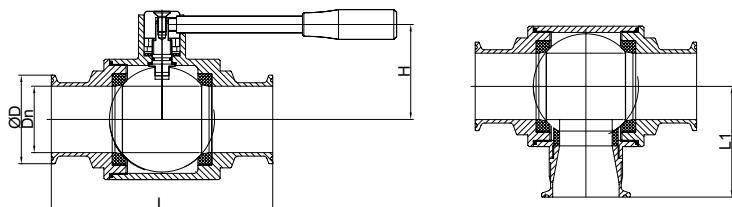


# 直通球阀

## DIRECT WAY BALL VALVE

### 手动球阀尺寸图

#### Manual ball valve Dimension



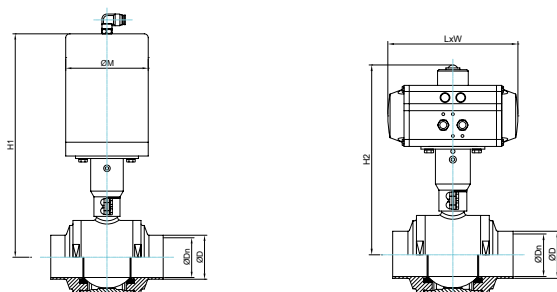
### 3A 直通 Direct way ball valve

No.KST-VQ005

SIZE	Dn	D	L	L1	H
3/4"	16.1	25.4	108	51	41
1"	22.4	50.5	112	56	48
1 1/4"	28.8	50.5	125	62.5	54
1 1/2"	34.8	50.5	135	72.5	59
2"	47.8	64	160	80	68
2 1/2"	59.5	77.5	178	89	78
3"	72.2	91	229	114.5	100
4"	97.6	119	255	134.5	125

### 气动球阀尺寸图

#### Pneumatic ball valve size figure

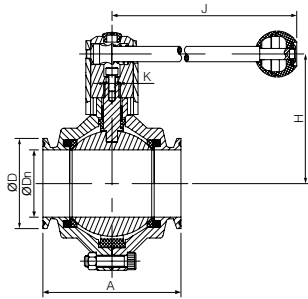


### INCH 直通 Direct way ball valve

No.KST-VQ006

SIZE	Dn	D	D1	L	H	J	H1	H2	M	LxW
1/2"	9.7	12.7	25.4	95	41	126.5	224.5	183.5	86	158x71
3/4"	16.1	19.1	25.4	108	41	126.5	224.5	183.5	86	158x71
1"	22.4	25.4	50.5	112	48	126.5	234.5	193.5	86	158x71
1 1/4"	28.8	31.8	50.5	125	54	126.5	236.5	193.5	86	158x71
1 1/2"	35.1	38.1	50.5	135	59	164.5	272	232.5	86	158x71
2"	47.8	50.8	64	160	68	164.5	280	244.5	86	158x71
2 1/2"	59.5	63.5	77.5	178	78	184.5	348	270	113	190x81
3"	72.2	76.2	91	229	100	184.5	402	296	133	213x98.5
4"	97.6	101.6	119	255	125	233	442.5	327.5	166	259x108.5

### 卡箍式蝶式球阀 Clamped butterfly-type ball valve

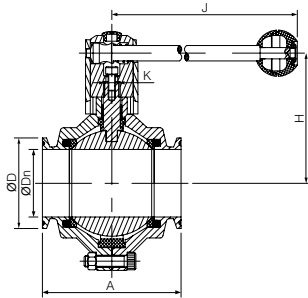


DIN

No.KST-VQ007

规格 Size	Dn	D	A	H	J	K
DN15	15	34	72	86	126	8×8
DN20	19	34	72	86	126	8×8
DN25	25	50.5	72	90	126	8×8
DN32	31	50.5	80	92	126	8×8
DN40	37	50.5	84	104	133	10×10
DN50	49	64	98	113	144	10×10
DN65	66	91	120	131	160	11×11
DN80	81	106	140	144	220	11×11
DN100	100	119	164	161	284	14×14

### 卡箍式蝶式球阀 Clamped butterfly-type ball valve

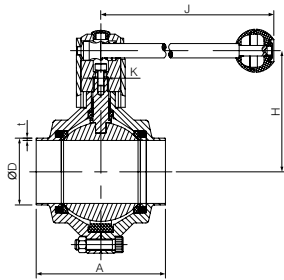


3A SMS ISO DS

No.KST-VQ008

规格 Size	D	A	H	J	K
3/4"	25.4	72	86	126	8×8
1"	50.5	72	90	126	8×8
1 1/4"	50.5	80	92	126	8×8
1 1/2"	50.5	84	104	133	10×10
2"	64	98	113	144	10×10
2 1/2"	77.5	116	128	160	11×11
3"	91	132	138	220	11×11
3 1/2"	106	140	144	220	11×11
4"	119	164	161	284	14×14

### 焊接式蝶式球阀 Welded butterfly-type ball valve

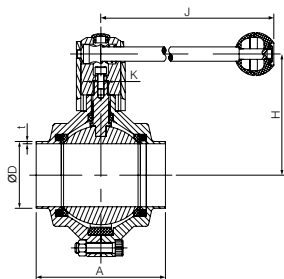


DIN

No.KST-VQ009

规格 Size	D	T	A	H	J	K
DN15	18	19	1.5	72	86	8×8
DN20	22	23	1.5	72	86	8×8
DN25	28	29	1.5	72	90	8×8
DN32	34	35	1.5	80	92	8×8
DN40	40	41	1.5	84	104	10×10
DN50	52	53	1.5	98	113	10×10
DN65	70	-	2	120	131	11×11
DN80	85	-	2	140	144	11×11
DN100	104	-	2	164	161	14×14

### 焊接式蝶式球阀 Welded butterfly-type ball valve



3A SMS ISO DS

No.KST-VQ010

规格 Size	D	A	H	J	K
3/4"	19.1	72	86	126	8×8
1"	25.4	72	90	126	8×8
1 1/4"	31.8	80	92	126	8×8
1 1/2"	38.1	84	104	133	10×10
2"	50.8	98	113	144	10×10
2 1/2"	63.5	116	128	160	11×11
3"	76.2	132	138	220	11×11
3 1/2"	89	140	144	220	11×11
4"	101.6	164	161	284	14×14



# 卫生级蝶阀

## BUTTERFLY VALVE

### 应用 Applications

无论手动或者自动操作，都可以用到食品加工，制药和化工等工业流体产品应用中。

No matter how the butterfly valve operated manually or automatically, can be used in food-processing, pharmacy and chemical industries.

### 工作原理 Operating principles

可以通过执行器自动操作也可用手柄手动操作。  
手柄控制阀门“开”和“关闭”的位置，当然也可以调节到其他间的位置。

执行器把活塞的轴向运动转换成90°旋转运动，传输给蝶阀。

The butterfly valves can be operated automatically through actuator or manually with the handle

The handles blocks the valve in the "open" or "closed" position, certainly there are the position available.

The actuator push piston of axial movement into 90 degree so that it controls butterfly valve.



## 技术规格 Technical specifications

最大压力：10bar 1/2"-12",DN10-DN300,5bar(DN200/300)

最小压力：0.2bar p.abs

工作温度：-10°C+120°C (EPDM)

Max.pressure: 10bar 1/2"-12",DN10-DN300,5bar(DN200/300)

Min.pressure: 0.2bar p.abs

Operating temperature: -10°C+120°C (EPDM)

## 设计和特点 Design and features

蝶板：AISI 316L/304 (锻造)

阀体：AISI 316L/304 (锻造)

垫圈和密封圈：EPDM根据FDA177.2600

手柄：AISI 304/PP

表面处理：≤0.8

Disc:AISI 316L/304(forged)

Valve body:AISI 316L/304(forged)

Washer and gasket:EPDM conforms to PFA 177.2600

Hande:AISI 304/PP

Surface finishing:Ra≤0.8

## 应用 Application

简洁有活力的设计

多位手柄：塑料=1/2"-4"，不锈钢=1/2"-6"

拉杆手柄尺寸到DN25-1"至DN300-1/2"

手动手柄和气动或电动执行器可互换

PED97/23EC认证

FDA.177.2600密封认证

任何连接方式的阀体都可以进行更换

Compact and robust design

Multi-position handle:Plastic type for 1/2"-4",Stainless steel type for 1/2"-6"

Pull handle,is suitable up to DN25-1 to DN300-12 valve

Manual handle,pneumatic and electric actuator can be exchangeable with each other

PED97-23EC

FDA.177.2600

The valve body can be changeabl with any kind of connection



## 选项 Options

垫圈材质有NBR,MVQ(硅胶)或FPM(氟橡胶)，它们都符合FDA177.2600

连接：焊接、卡箍、螺纹、单焊接单螺纹、法兰式、DIN、SMS、RJT、ISO、IDF、3A

手柄：二定位、三定位、四定位拉杆手柄、多位手柄、多位不锈钢手柄

执行器：不锈钢气动执行器、卧式气动执行器、电动执行器

控制：位置传感器、C-TOP控制器、C-TOP控制器(AS-1)

智能阀门定位器：电流信号4-20mA(0-20mA),电压信号0-5V；总线协议DEVICENET

Gaskets are available in NBR,MVQ or FPM,which all confirm to standard of FDA177.2600

Connection:weld/clamp,thread,weld/thread,flange,DIN,SMS,RJT,ISO,IDF,3A

Handle:two-position handle,three-position handle,four-position pull handle,multi-position plastic handle,plastic handle and multi-position stainless steel handle.

Acyuator:pneumatic stainless steel actuator,pneumatic aluminum actuator,electric actuator

Control:sensor,C-TOP,c-too controller(AS-1)

Interlligent controller:Current signal 4-20mA(0-20mA),Voltage signal 0-5V,Device net but control

## 操作扭矩 Operating Torque(NM)

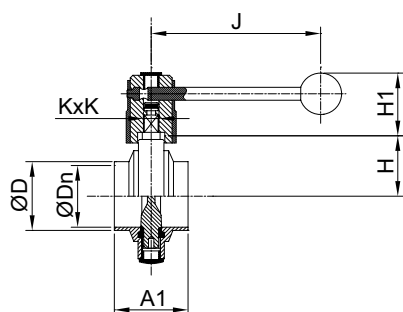
操作扭矩 Operating Torque(nm)	25-1"	40-1/2"	50-2	2 1/2"	65	3"	80	100-4"	125	150
	3	4	5	10	12	14	18	25	40	55

在压力10Kgrs/cm<sup>2</sup>下检测 Test under pressure of 10Kgrs/cm<sup>2</sup>



# 蝶阀尺寸图

## DIMENSION OF BUTTERFLY VALVE

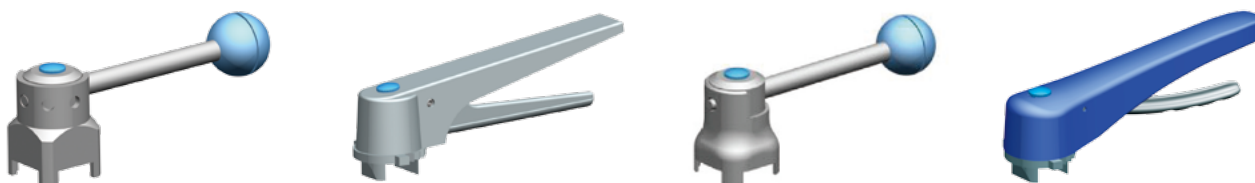


拉式手柄蝶阀  
Manual butterfly valve



蝶阀 Butterfly valve						
DIN	No.KST-VD001					
SIZE	Dn	D	J	H	H1	A1
DN10	10	13	126	40	43.5	50
DN15	15	18/9	126	40	43.5	50
DN20	19	22/23	126	40	43.5	50
DN25	25	28/29	126	40	43.5	50
DN32	31	34/35	126	44.5	43.5	50
DN40	37	40/41	126	46.5	43.5	50
DN50	49	52/53	133	54.5	47.5	52
DN65	66	70	144	64	47.5	56
DN80	81	85	160	70.5	50	60
DN100	100	104	160	81	50	64
DN125	125	129	257	94.5	52.5	80
DN150	150	154	257	110	52.5	90
DN200	200	204	397	145	52.5	90
DN150	250	254	397	174	52.5	90
DN300	300	304	397	174	52.5	90

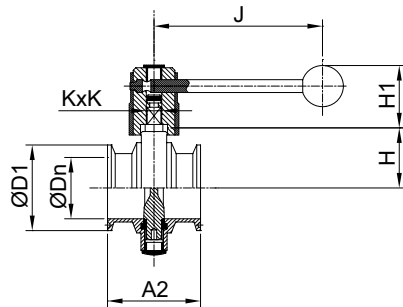
蝶阀 Butterfly valve						
INCH	No.KST-VD002					
SIZE	Dn	D	J	H	H1	A1
1/2"	9.7	12.7	126	40	43.5	50
3/4"	16.1	19.1	126	40	43.5	50
1"	22.4	25.4	126	40	43.5	50
1 1/4"	28.8	31.8	126	40	43.5	50
1 1/2"	35.1	38.1	126	44.5	43.5	50
Φ45	41	45	126	46.5	43.5	50
Φ48	45	48	126	48.5	43.5	52
2"	47.8	50.8	133	52.5	47.5	52
Φ57	53	57	144	54	47.5	52
2 1/2"	59.5	63.5	144	59	47.5	56
3"	72.2	76.2	144	65.5	47.5	56
3.5"	85	89	144	72	50	60
4" 小	97.6	101.6	144	79	50	64
4" 大	97.6	101.6	160	81	50	64
108	104	108	160	82.5	50	64
114.3	110.3	114.3	160	82.5	52.5	64
133	127	133	257	94.5	52.5	80
6"	146.8	152.8	257	110	52.5	90
159	153	159	257	110	52.5	90
8"	197.6	203.2	397	145	52.5	90
219	211	219	397	145	52.5	90
10"	247.2	254	397	174	52.5	90





# 蝶阀尺寸图

## DIMENSION OF BUTTERFLY VALVE

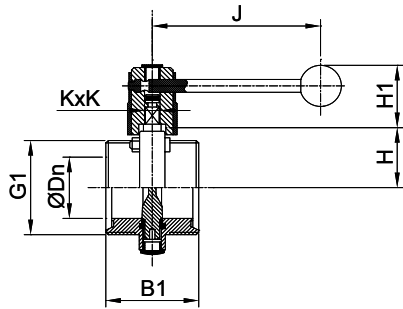


拉式手柄蝶阀  
Manual butterfly valve



蝶阀 Butterfly valve						
DIN	No.KST-VD003					
SIZE	Dn	D1	J	H	H1	A2
DN10	10	34	126	40	43.5	66
DN15	15	34	126	40	43.5	66
DN20	19	34	126	40	43.5	66
DN25	25	50.5	126	40	43.5	66
DN32	31	50.5	126	44.5	43.5	66
DN40	37	50.5	126	46.5	43.5	70
DN50	49	64	133	54.5	47.5	76
DN65	66	91	144	64	47.5	80
DN80	81	106	160	70.5	50	84
DN100	100	119	160	81	50	104
DN125	125	144.5	257	94.5	52.5	122
DN125	125	155	257	94.5	52.5	122
DN150	150	167	257	110	52.5	146
DN150	150	183	257	110	52.5	146
DN200	200	217.4	257	145	52.5	166
DN200	200	233.5	397	145	52.5	166
DN250	250	268	397	174	52.5	167
DN300	300	319	397	174	52.5	146

蝶阀 Butterfly valve						
INCH	No.KST-VD004					
SIZE	Dn	D1	J	H	H1	A2
1/2"	9.7	25.4	126	40	43.5	66
3/4"	16.1	25.4	126	40	43.5	66
1 1/4"	22.4	50.5	126	40	43.5	66
1 1/2"	28.8	50.5	126	40	43.5	66
1"	35.1	50.5	126	44.5	43.5	70
Φ45	41	64	126	46.5	43.5	74
Φ48	45	64	126	48.5	43.5	76
2"	47.8	64	133	52.5	47.5	76
Φ57	53	77.5	144	54	47.5	76
2 1/2"	59.5	77.5	144	59	47.5	80
3"	72.2	91	144	65.5	47.5	84
3.5"	85	106	144	72	50	86
4" 小	97.6	119	144	79	50	104
4" 大	97.6	119	160	81	50	104
108	104	119	160	82.5	50	106
114.3	110.3	130	160	82.5	52.5	106
133	127	144.5	257	94.5	52.5	122
6"	146.8	167	257	110	52.5	146
159	153	183	257	110	52.5	146
8"	197.6	217.4	397	145	52.5	166
219	211	233.5	397	145	52.5	166
10"	247.2	268	397	174	52.5	167



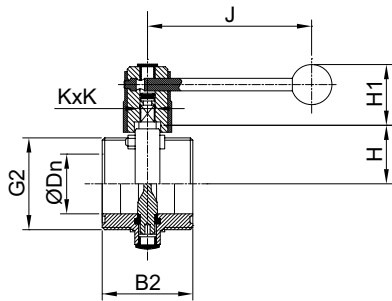
拉式手柄蝶阀  
Manual butterfly valve with pull handle

蝶阀 Butterfly valve

DIN

No.KST-VD005

SIZE	Dn	K*K	H	H1	B1	螺纹 Male(DIN)
						G1
DN10	10	8*8	40	43.5	66	Rd28*1/8
DN15	15	8*8	40	43.5	66	Rd34*1/8
DN20	19	8*8	40	43.5	66	Rd44*1/6
DN25	25	8*8	40	43.5	66	Rd52*1/6
DN32	31	8*8	44.5	43.5	70	Rd58*1/6
DN40	37	8*8	46.5	43.5	74	Rd65*1/6
DN50	49	10*10	54.5	47.5	76	Rd78*1/6
DN65	66	10*10	64	47.5	80	Rd95*1/6
DN80	81	11*11	70.5	50	84	Rd110*1/4
DN100	100	11*11	81	50	104	Rd130*1/4
DN125	125	14*14	94.5	52.5	130	Rd160*1/4
DN150	150	14*14	110	52.5	150	Rd190*1/4



拉式手柄蝶阀  
Manual butterfly valve with pull handle

蝶阀 Butterfly valve

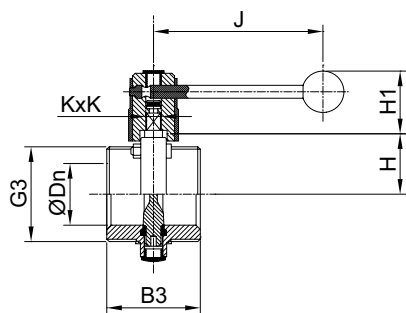
SMS

No.KST-VD006

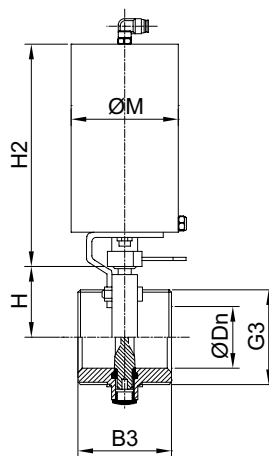
SIZE	Dn	K*K	H	H1	B2	螺纹 Male(DIN)
						G2
3/4"	16	8*8	40	43.5	66	Rd36*1/8"
1"	22.4	8*8	40	43.5	66	Rd40*1/6"
1 1/4"	28.8	8*8	40	43.5	66	Rd48*1/6"
1 1/2"	35.1	8*8	44.5	43.5	70	Rd60*1/6"
2"	47.8	10*10	52.5	47.5	76	Rd70*1/6"
2 1/2"	59.5	10*10	59	47.5	80	Rd85*1/6"
3"	72.2	10*10	65.5	47.5	84	Rd98*1/6"
3.5"	85	11*11	72	50	86	Rd105*1/6"
4" 小	97.6	11*11	79	50	104	Rd125*1/4"
4" 大	97.6	11*11	81	50	104	Rd132*1/4"

# 蝶阀尺寸图

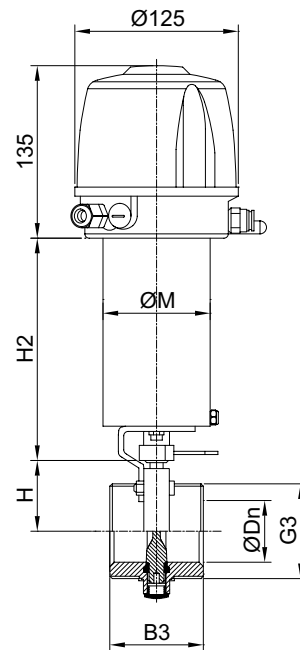
## DIMENSION OF BUTTERFLY VALVE



拉式手柄蝶阀  
Manual butterfly valve with pull handle



不锈钢气动蝶阀  
SS Pneumatic butterfly valve



带智能头气动蝶阀  
Pneumatic butterfly valve+C-TOP

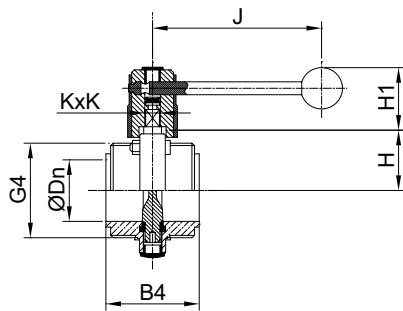
### 蝶阀 Butterfly valve

3A

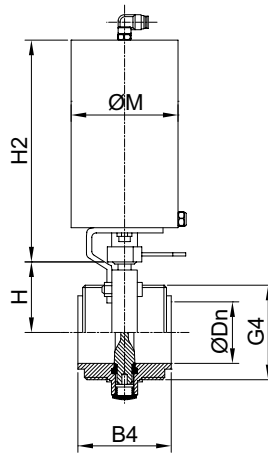
No.KST-VD007

SIZE	Dn	K*K	H	H1	H2	B3	M	螺纹 Male(3A)
								G3
1"	22.1	8*8	40	43.5	172.5	66	86	37.1*1/8Acme
1 1/4"	28.8	8*8	40	43.5	172.5	70	86	45.9*1/8Acme
1 1/2"	34.8	8*8	44.5	43.5	172.5	70	86	50.6*1/8Acme
2"	47.5	10*10	52.5	47.5	172.5	76	86	64.1*1/8Acme
2 1/2"	60.2	10*10	59	47.5	172.5	80	86	77.6*1/8Acme
3"	72.9	10*10	65.5	47.5	172.5	84	86	91.1*1/8Acme
4"	97.4	11*11	79	50	172.5	104	86	119.2*1/6Acme

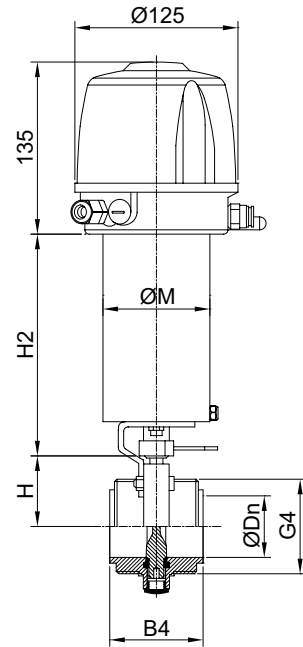




拉式手柄蝶阀  
Manual butterfly valve with pull handle



不锈钢气动蝶阀  
SS Pneumatic butterfly valve



带智能头气动蝶阀  
Pneumatic butterfly valve+C-TOP

## 蝶阀 Butterfly valve

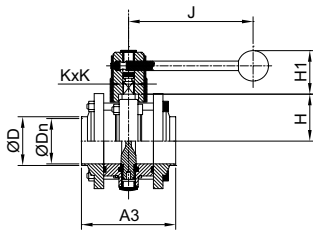
ISO/IDF

No.KST-VD008

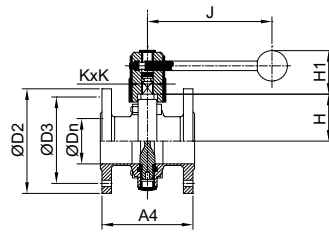
SIZE	Dn	K*K	H	H1	H2	B4	M	螺纹 Male(ISO/IDF)	
								G4	
1"	22.4	8*8	40	43.5	172.5	66	86	37.1*1/8Acme	
1 1/2"	35.1	8*8	44.5	43.5	172.5	76	86	50.6*1/8Acme	
2"	47.8	10*10	52.5	47.5	172.5	82	86	64.1*1/8Acme	
2 1/2"	59.5	10*10	59	47.5	172.5	86	86	77.6*1/8Acme	
3"	72.2	10*10	65.5	47.5	172.5	90	86	91.1*1/8Acme	
3.5"	84.9	10*10	72	50	172.5	90	86	104.7*1/6Acme	
4"(ISO)	97.6	11*11	79	50	172.5	110	86	118.2*1/8Acme	
4"(IDF)	97.6	11*11	79	50	172.5	110	86	125.9*1/6Acme	

# 蝶阀尺寸图

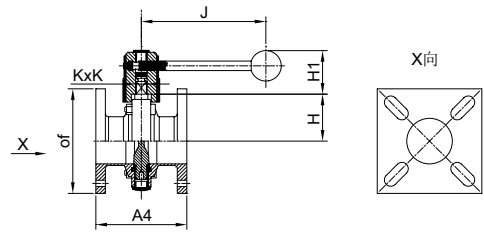
## DIMENSION OF BUTTERFLY VALVE



三片式  
Three-piece butterfly valve



法兰式 (圆形)  
Flangd butterfly valve(Round type)



法兰式 (四方法兰)  
Flangd butterfly valve(Square type)

### 蝶阀 Butterfly valve

DIN

No.KST-VD009

SIZE	Dn	D	D2	D3	K*K	J	H	H1	A3	A4	OF
DN10	10	13	-	-	8*8	126	40	43.5	100	-	-
DN15	15	18/19	95	65	8*8	126	40	43.5	100	110	100*100
DN20	19	22/23	105	75	8*8	126	40	43.5	100	110	100*100
DN25	25	28/29	115	85	8*8	126	40	43.5	100	110	100*100
DN32	31	34/35	135	100	8*8	126	44.5	43.5	100	116	100*100
DN40	37	40/41	145	110	8*8	126	46.5	43.5	100	118	100*100
DN50	49	52/53	160	125	10*10	133	54.5	47.5	104	120	100*100
DN65	66	70	180	145	10*10	144	64	47.5	112	124	120*120
DN80	81	85	195	160	11*11	160	70.5	50	120	130	140*140
DN100	100	104	215	180	11*11	160	81	50	128	152	140*140
DN125	125	129	246	210	14*14	257	94.5	52.5	160	178	-
DN150	150	154	280	240	14*14	257	110	52.5	180	198	-
DN200	200	204	335	295	14*14	397	145	52.5	180	270	-

### 蝶阀 Butterfly valve

INCH

No.KST-VD010

SIZE	Dn	D	D2	D3	K*K	J	H	H1	A3	A4	OF
1/2"	9.7	12.7	-	-	8*8	126	40	43.5	100	-	-
3/4"	15.8	19.1	95	65	8*8	126	40	43.5	100	-	100*100
1"	22.4	25.4	105	75	8*8	126	40	43.5	100	110	100*100
1 1/4"	28.8	31.8	115	85	8*8	126	40	43.5	100	110	100*100
1 1/2"	35.1	38.1	135	100	8*8	126	44.5	43.5	100	116	100*100
Φ45	41	45	145	110	8*8	126	46.5	43.5	100	118	100*100
Φ48	45	48	145	110	8*8	126	48.5	43.5	100	118	100*100
2"	47.8	50.8	145	110	10*10	133	52.5	47.5	104	118	100*100
Φ57	53	57	160	125	10*10	144	54	47.5	104	120	100*100
2 1/2"	59.5	63.5	160	125	10*10	144	59	47.5	112	120	120*120
3"	72.2	76.2	180	145	10*10	144	65.5	47.5	112	124	140*140
3.5"	85	89	195	160	11*11	144	72	50	120	130	140*140
4" 小	97.6	101.6	195	160	11*11	144	79	50	128	130	140*140
4" 大	97.6	101.6	195	160	11*11	160	81	50	128	130	140*140
108	104	108	215	180	11*11	160	82.5	50	128	152	-
114.3	110.3	114.3	215	180	11*11	160	82.5	52.5	160	152	-
133	127	133	245	210	14*14	257	94.5	52.5	160	178	-
6"	146.8	152.4	280	240	14*14	257	110	52.5	180	198	-
159	153	159	280	240	14*14	257	110	52.5	180	198	-
8"	197.6	203.2	335	295	14*14	397	145	52.5	180	270	-
219	211	219	335	295	14*14	397	145	52.5	180	270	-
10"	247.2	254	390	350	14*14	397	174	52.5	-	270	-



## 卫生级止回阀 SANITARY CHECK VALVES



金斯顿止回阀应用于不锈钢管道系统内，以达到防止液体回流的目的。此阀门广泛应用于酿造、乳品、化学和制药业。

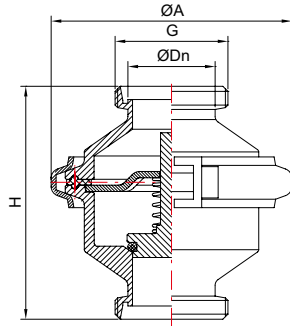
Kingstone check valve used in stainless steel piping system to achieve the purpose of preventing liquid return. The valves are widely used in the brewing, dairy, chemical and pharmaceutical industries.

# 卫生级止回阀

## SANITARY CHECK VALVES

### 螺纹式止回阀

#### Threaded Check Valves



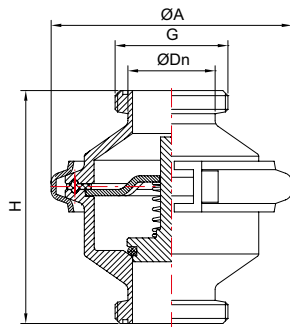
DIN

No.KST-VZ001

Size	Dn	A	H	G
DN15	15	87	103	RD34×1/8
DN20	19	87	107	RD44×1/6
DN25	25	87	109	RD52×1/6
DN32	31	87	111	RD58×1/6
DN40	37	87	111	RD65×1/6
DN50	49	100	129	RD78×1/6
DN65	66	115	139	RD95×1/6
DN80	81	128	151	RD110×1/4
DN100	100	164	175	RD130×1/4

### 螺纹式止回阀

#### Threaded Check Valves



SMS

No.KST-VZ002

Size	Dn	A	H	G
3/4"	15.8	87	107	RD36×1/8
1"	22.1	87	107	RD40×1/6
1 1/4"	28.5	87	107	RD60×1/6
1 1/2"	34.8	87	111	RD70×1/6
2"	47.5	100	127	RD85×1/6
2 1/2"	60.2	115	141	RD98×1/6
3"	72.9	128	151	RD105×1/6
3 1/2"	85	164	153	RD125×1/4
4"	97.6	164	173	RD132×1/4



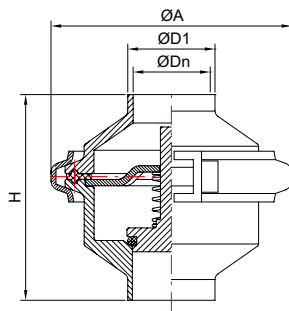
# 卫生级止回阀

## SANITARY CHECK VALVES

www.cnkingstone.com    www.china-kst.com



### 焊接式止回阀 Welded check valve



DIN

No.KST-VZ003

Size	DN	D1	A	H
DN15	15	18	87	81
DN20	19	22	87	81
DN25	25	28	87	81
DN32	31	34	87	81
DN40	37	40	87	81
DN50	49	52	100	91
DN65	66	70	115	95
DN80	81	85	128	101
DN100	100	104	164	110
DN125	125	129	195	130
DN150	150	154	216	150

INCH ISO/3A/SMS

No.KST-VZ004

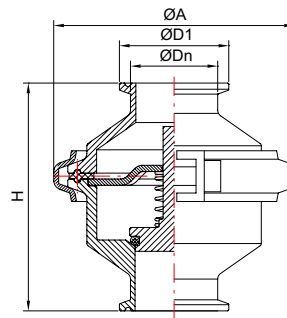
Size	DN	D1	A	H
1/2"	9.4	12.7	87	81
3/4"	15.8	19.1	87	81
1"	22.1	25.4	87	81
1 1/4"	28.5	31.8	87	81
1 1/2"	34.8	38.1	87	81
2"	47.5	50.8	100	91
2 1/2"	60.2	63.5	115	95
3"	72.9	76.2	128	101
4"	97.6	101.6	164	110



# 卫生级止回阀

## SANITARY CHECK VALVES

卡箍式止回阀  
Clamped check valve



DIN

No.KST-VZ005

Size	DN	D1	A	H
DN15	15	34	87	106.4
DN20	19	34	87	106.4
DN25	25	50.5	87	106.4
DN32	31	50.5	87	106.4
DN40	37	50.5	87	106.4
DN50	49	64	100	116.4
DN65	66	91	115	120.4
DN80	81	106	128	126.4
DN100	100	119	164	141.8
DN125	125	145	180	150
DN150	150	154	216	158

INCH ISO/3A/SMS

No.KST-VZ006

Size	DN	D1	A	H
1/2"	9.4	25.4	87	106.4
3/4"	15.8	25.4	87	106.4
1"	22.1	50.5	87	106.4
1 1/4"	28.5	50.5	87	106.4
1 1/2"	34.8	50.5	87	106.4
2"	47.5	64	100	116.4
2 1/2"	60.2	77.5	115	120.4
3"	72.9	91	128	126.4
4"	97.6	119	164	141.8

# 卫生级止回阀

## SANITARY CHECK VALVES

www.cnkingstone.com    www.china-kst.com



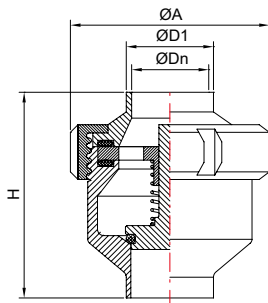
由任式焊接止回阀  
Union welding check valve



DIN

No.KST-VZ007

Size	DN	D1	A	H
DN25	25	28	63	70
DN32	31	34	78	75
DN40	37	40	78	75
DN50	49	52	92	80
DN65	66	70	112	90
DN80	81	85	148	115
DN100	100	104	178	147



INCH    ISO/3A/SMS

No.KST-VZ008

Size	DN	D1	A	H
1"	22.1	25.4	63	70
1 1/4"	28.5	31.8	78	75
1 1/2"	34.8	38.1	78	75
2"	47.5	50.8	92	85
2 1/2"	60.2	63.5	112	90
3"	72.9	76.2	148	100
4"	97.6	101.6	178	155

# 卫生级止回阀

## SANITARY CHECK VALVES

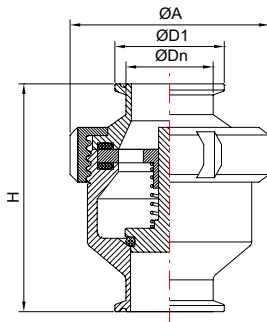
由任式卡箍止回阀  
Union clamp check valve



DIN

No.KST-VZ009

Size	DN	D1	A	H
DN25	25	50.5	63	113
DN32	31	50.5	78	118
DN40	37	50.5	78	118
DN50	49	64	92	123
DN65	66	91	112	146
DN80	81	106	148	171
DN100	100	119	178	201



INCH ISO/3A/SMS

No.KST-VZ010

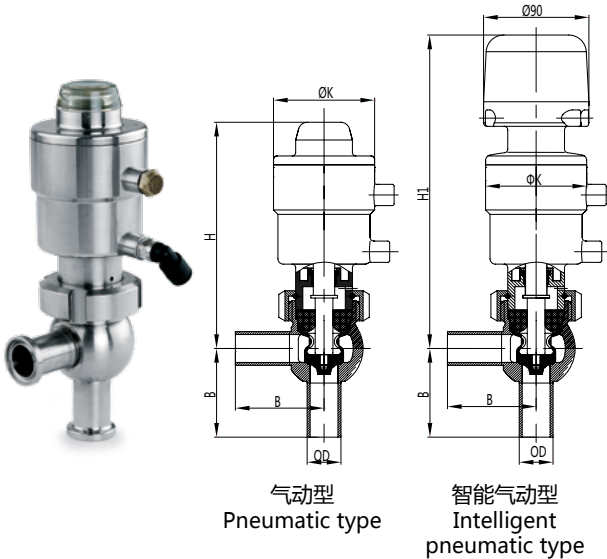
Size	DN	D1	A	H
1"	22.1	50.5	63	113
1 1/4"	28.5	50.5	78	118
1 1/2"	34.8	50.5	78	118
2"	47.5	64	92	128
2 1/2"	60.2	77.5	112	133
3"	72.9	91	148	143
4"	97.6	119	178	198

# 无菌截止阀 BELLOWS VALVE

www.cnkingstone.com www.china-kst.com



No.KST-VZ011

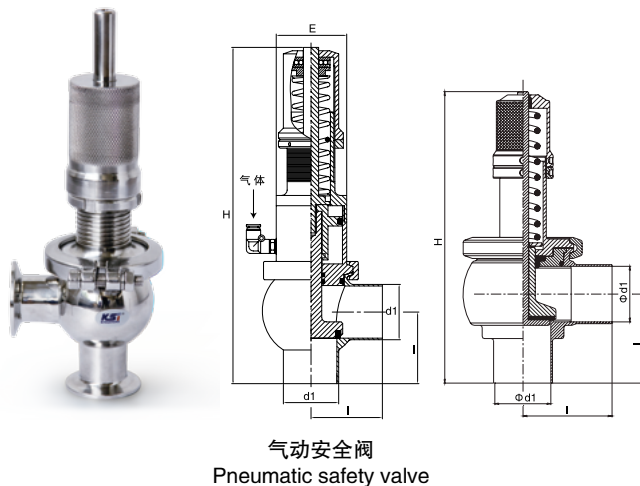


SIZE	DIN 11866-1						
	DN10	DN15	DN20	DN25	DN32	DN40	DN50
H	92	121.5	142.6	145.6	182.3	185.2	223
H1	-	-	213.1	216.1	252.8	255.7	295.5
K	35	50	60	60	80	80	95
B	43	57	68	68	86	86	102
OD	13*1.5	19*1.5	23*1.5	29*1.5	35*1.5	41*1.5	53*1.5

No.KST-VZ012

SIZE	DIN 11864-3				
	1/2"	3/4"	1"	1 1/2"	2"
H	92	121.2	143.8	183.7	221.9
H1	-	-	214.3	254.2	294.4
K	35	50	60	80	95
B	43	57	68	86	102
OD	12.7*1.65	19.05*1.65	25.4*1.65	38.1*1.65	50.8*1.65

## 安全阀 (溢流阀) Safety valve (Relief valve)



DIN

No.KST-VZ013

DN	d1	常规 H Normal H	气动 H Pneumatic H	l
25	26	219	275	58
40	38	250	305	60
50	50	252	305	65
65	66	284	340	75
80	81	301	355	90

英寸INCHES

No.KST-VZ014

DN	d1	常规 H Normal H	气动 H Pneumatic H	l
1"	22,1	219	275	58
1 1/2"	34,8	238	305	60
2"	47,5	252	305	65
2 1/2"	60,2	284	340	70
3"	72,9	301	355	90

# 无菌取样阀

## ASEPTIC SAMPLING VALVE



### 材质

#### Material

- 阀体: AISI 316L
- 手柄: AISI 304
- 密封圈: MVQ EPDM

#### 技术规范

- 最大压力: 600kpa(6bar)
- 温度
- 最高温度: 130°C
- 干蒸汽: (2bar)121°C
- 连接方式: 螺纹, 卡箍, 焊接

- Valve body: AISI 316L
- Handle: AISI 304
- Gasket: MVQ/EPDM
- Technical specification
- Max.working pressure: 600kPa(6bar)
- Temperature
- Max.temperature: 130°C
- Dry steam: (2bar)121°C
- Connections: thread, clamp, weld

建议:消毒200次,更换密封圈

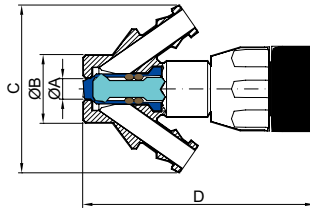
Ordering:

It is recommended that the membrane be changed every 200 sterilizations.

### 焊接式无菌取样阀

#### Welded aseptic sample valve

No.KST-SV001

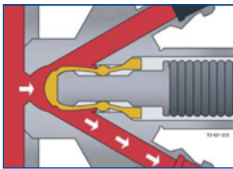


DN	A	B	C	D
25	8	28	68	90

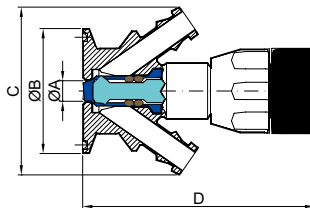
### 卡箍式无菌取样阀

#### Clamp aseptic sample valve

No.KST-SV002



开启阀门, 取样  
Open valve, Sampling.

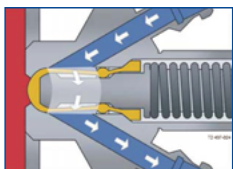


DN	A	B	C	D
25	8	50.5	68	90

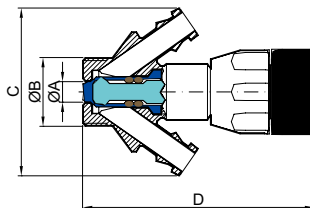
### 螺纹式无菌取样阀

#### Male aseptic sample valve

No.KST-SV003



关闭阀门, 消毒  
Closed valve, Sterilizing.



DN	A	B	C	D
25	8	M28X1.5	68	90





# 无菌取样阀 ASEPTIC SAMPLING VALVE

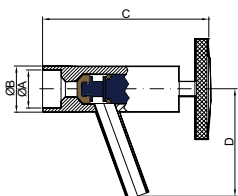
## 技术参数 Technical specification

- 接口方式：螺纹，卡箍，焊接
- 最大压力：10bar 145psi
- 最小压力：真空
- 适用温度：-10℃ 50°F至120℃ /248℃
- 阀体材质：AISI 304 AISI 316L
- 密封材质：PTFE
- Connections: thread, clamp, weld
- Max. pressure: 10bar 145psi
- Min. pressure: vacuum
- Temperature: -10℃ 50°F至120℃ /248℃
- Body material: AISI304 AISI316 L
- Seal material: PTFE
- 该取样阀接口方式: 螺纹，卡箍，焊接
- 规格:1/4",3/8",1/2",3/4"
- 密封材质:PTFE符合FDA177.2600
- 垫圈材质:EPDM NBR FPM 符合FDA177.2600
- 最高压力:10Bar
- 最高温度:120℃
- Connections: thread, clamp, weld
- Size: 1/4 " , 3/8 " , 1/2 " , 3/4 "
- Seal material: PTFE in accordance with FDA177.2600
- Max. pressure: 10bar
- Max. Temperature: 120℃



## 焊接式取样阀 Welded Sample Valve

No.KST-SV004

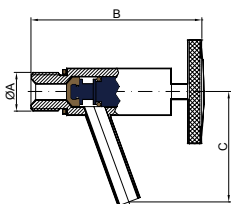


Size	A	B	C	D
1/2"	9.7	12.7	75	50
3/4"	16.05	19.05	75	50
1"	22.4	25.4	75	50



## 螺纹式取样阀 Male Sample Valve

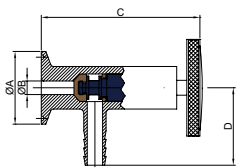
No.KST-SV005



Size	A	B	C	D
3/8"	G3/8"	75	50	
1/2"	G1/2"	85	50	
3/4"	G3/4"	100	50	

## 快装式取样阀 Clamp sampling valve

No.KST-SV006



Size	A	B	C	D
DN25	50.5	9	110	52.5



# 罐式清洗设备

## TANK CLEANING EQUIPMENT

### RSH 旋转式洗球

RSH是一种旋转碰头，它使用清洗介质进行全面的覆盖和冲洗。由于此设备在低压下使用的洗涤液量较少，因此它是传统固定喷球的一种有效替代产品。RSH旋转头中采用双滚珠轴承，这使其适用于所有工业清洗应用领域，它包括储罐、反应器、容器和其他容量在0.05m<sup>2</sup>至50m<sup>3</sup>（取决于具体尺寸和清洗任务）的容器。

清洗介质的流动使RSH的喷头产生转动，扇形喷流在整个储罐或反应器中形成涡流。因此产生有效清除残余产品所需的冲击力。层叠的流动可清洗到容器的所有内表面。

### 技术数据

材质

AISI 316L(UNS S31603)

最小口径

RSH-25 25mm diameter(DN25)

RSH-45 45mm diameter(DN45)

RSH-65 65mm diameter(DN65)

最高工作温度

90°C（最高环境温度140°C）

清洗半径/湿润半径

RSH25 max.r=0.6M/2.5M

RSH45 max.r=1.4M/3M

RSH65 max.r=2M/3M

工作压力

1-3bar

喷流形式

360/270以上/180以下

接口形式

螺纹式、焊接式、插销式



### RSH rotary washing ball

RSH is a kind of rotation, head uses it USES the cleaning medium to conduct a comprehensive coverage and flushing. Due to the less use of washing liquid in low pressure equipment used in low, it is one of the effective way to replace the traditional way. RSH swivel adopts double ball bearing, that makes it suitable for all industrial cleaning applications, it includes a tank, reactor, container and other capacity in 0.05 m<sup>2</sup> to 50 m<sup>3</sup> (depending on the size and cleaning tasks) of the container.

The flow of the cleaning medium make RSH rotating sprinkler, fan-shaped spray flow in the formation of vortex in the tank or the reactor. The impact of the resulting effectively remove residual product required. Cascade flow can clean all of the inner surface to the container.

### Technical data

The material

AISI 316 I (UNS S31603)

The smallest diameter

RSH - 25 25 mm diameter (DN25)

RSH - 45 45 mm diameter (DN45)

RSH - 65, 65 mm diameter (DN65)

The highest working temperature

90 °C (maximum ambient temperature 140 °C)

/ wet cleaning radius radius

RSH25 Max. R = 0.6 M / 2.5 M

RSH45 Max. R = 1.4 M / 3 M

RSH65 Max. R = 2 m / 3 m

Pressure of work

1-3 bar

Jet form

More than 360/270/180 below

Interface form

Screw type, welding type, bolt type

### KSB- 固定式喷球

KSB是食品和饮料行业中一种用来清洗储罐的固定喷球。

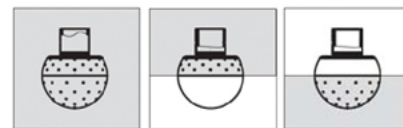
固定喷球用于要求较低的清洗任务。

### KSB - fixed spray ball

1.KBS is a kind of fixed spray ball used for tank cleaning in food and beverage industry

2.Fixed spray ball is used for cleaning tasks that request lower.

喷流形式



360°

180°以上

180°以下

# 罐式清洗设备

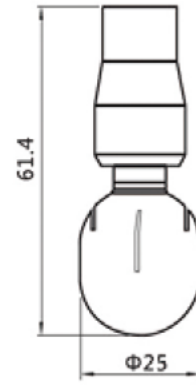
## TANK CLEANING EQUIPMENT

### RSH 旋转式洗球 -Φ25

润滑剂：通过清洗液自润滑  
 材质：SISI 316L(UNSS31603)  
 口径：Min.Φ25mm  
 工作压力：1~3bar  
 推荐压力：2bar  
 工作温度：95°C  
 环境温度：140°C  
 润滑半径：2.5m  
 清洗半径：Max.0.6m  
 接口形式：螺纹式,3/8"Rp(BSP)  
 插销式,3/4"(BPE/3A)  
 焊式,3/4"(BPE/3A)  
 表面处理：外表面Ra≤0.5um,内表面Ra≤0.8um

### RSH rotary washing ball - Φ 25

Lubricants: by cleaning fluid lubrication  
 Material: 316 L SISI (UNSS31603)  
 CAL: Min. Φ 25 mm  
 Job stress: 1 ~ 3 bar  
 Recommend a pressure: 2 bar  
 Working temperature: 95 °C  
 Ambient temperature: 140 °C  
 Lubrication radius: 2.5 m  
 Cleaning radius: Max. 0.6 m  
 Interface form: screw-type, 3/8 "Rp (BSP)  
 Bolt type, 3/4 "(BPE / 3 a)  
 And welded, 3/4 "(BPE / 3 a)  
 Surface treatment: the surface Ra acuties were 0.5 um,  
 inner surface Ra 0.8 um or less



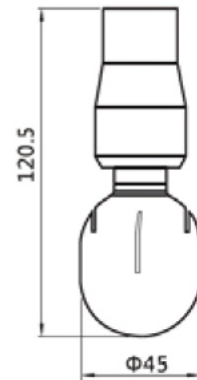
焊式

### RSH 旋转式洗球 -Φ45

润滑剂：通过清洗液自润滑  
 材质：AISI 316L(UNSS31603)  
 口径：Min.Φ45mm  
 工作压力：1~3bar  
 推荐压力：2bar  
 工作温度：95°C  
 环境温度：140°C  
 润滑半径：3m  
 清洗半径：Max.1.4m  
 接口形式：螺纹式,3/4"Rp(BSP)  
 插销式,1.0"(BPE/ISO)  
 焊式,1.0"  
 表面处理：外表面Ra≤0.5um,内表面Ra≤0.8um

### RSH rotary washing ball - Φ 45

Lubricants: by cleaning fluid lubrication  
 Material: AISI 316 L (UNSS31603)  
 CAL: Min. Φ 45 mm  
 Job stress: 1 ~ 3 bar  
 Recommend a pressure: 2 bar  
 Working temperature: 95 °C  
 Ambient temperature: 140 °C  
 Lubrication radius: 3 m  
 Cleaning radius: Max. 1.4 m  
 Interface form: screw-type, 3/4 "Rp (BSP)  
 Bolt type, 1.0 "(BPE/ISO)  
 Welding type, 1.0"  
 Surface treatment: the surface Ra acuties were 0.5 um,  
 inner surface Ra 0.8 um or less



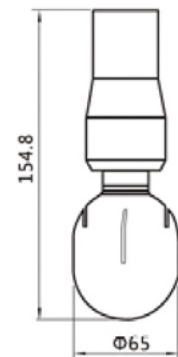
焊式

### RSH 旋转式洗球 -Φ65

润滑剂：通过清洗液自润滑  
 材质：AISI 316L(UNSS31603)  
 口径：Min.Φ45mm  
 工作压力：1~3bar  
 推荐压力：2bar  
 工作温度：95°C  
 环境温度：140°C  
 润滑半径：3m  
 清洗半径：Max.2m  
 接口形式：插销式,1.5/2.0"(BPE/ISO)  
 焊式,1.5/2.0"(BPE/ISO)  
 表面处理：外表面Ra≤0.5um,内表面Ra≤0.8um

### RSH rotary washing ball - Φ 65

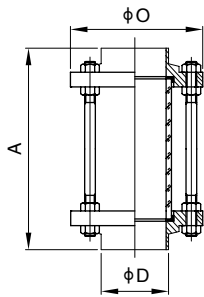
Lubricants: by cleaning fluid lubrication  
 Material: AISI 316 L (UNSS31603)  
 CAL: Min. Φ 45 mm  
 Job stress: 1 ~ 3 bar  
 Recommend a pressure: 2 bar  
 Working temperature: 95 °C  
 Ambient temperature: 140 °C  
 Lubrication radius: 3 m  
 Cleaning radius: Max. 2 m  
 Interface: the bolt type, 1.5/2.0 "(BPE/ISO)  
 Welding type, 1.5/2.0 "(BPE/ISO)  
 Surface treatment: the surface Ra acuties were 0.5 um,  
 inner surface Ra 0.8 um or less



焊式

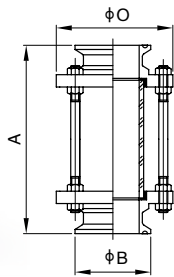
# 卫生级视镜 SANITARY SIGHT GLASS

直通焊接式视镜  
Welded straight sight glass



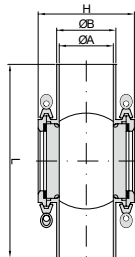
DIN				No.KST-SG001				SMS/ISO/IDF/3A				No.KST-SG002			
Size	A	DV	O	Size	A	D	O	Size	A	D	O	Size	A	D	O
DN25	140.0	28.0	78.0	1"	25	140.0	25.4	78.0	1 1/4"	32	140.0	32.0	78.0		
DN32	140.0	34.0	78.0	1 1/2"	38	140.0	38.1	86.0	2"	51	142.0	50.8	102.0		
DN40	140.0	40.0	86.0	2 1/2"	63	144.0	63.5	115.0	3"	76	144.0	76.2	128.0		
DN50	142.0	52.0	102.0	3 1/2"	89	148.0	89.0	139.0	4"	102	152.0	101.6	154.0		
DN65	144.0	70.0	120.0												
DN80	148.0	85.0	134.0												
DN100	152.0	104.0	154.0												

卡箍式直通视镜  
Clamped straight sight glass



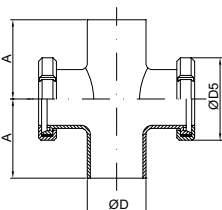
DIN				No.KST-SG003				SMS/ISO/IDF/3A				No.KST-SG004			
Size	A	B	O	Size	A	B	O	Size	A	B	O	Size	A	B	O
DN25	156.0	50.5	78.0	1"	25	156.0	50.5	78.0	1 1/4"	32	156.0	50.5	78.0		
DN32	156.0	50.5	86.0	1 1/2"	38	160.0	50.5	86.0	2"	51	166.0	64.0	102.0		
DN40	164.0	50.5	90.0	2 1/2"	63	168.0	77.5	115.0	3"	76	172.0	91.0	128.0		
DN50	166.0	64.0	106.0	3 1/2"	89	178.0	106.0	139.0	4"	102	194.0	119.0	154.0		
DN65	168.0	91.0	124.0												
DN80	172.0	106.0	139.0												
DN100	192.0	119.0	159.0												

球型视镜  
Ball-type sight glass



No.KST-SG005				
Size	A	B	H	L
DN25	28	25	67	90
DN32	34	31	78	100
DN40	40	37	83	130
DN50	52	49	99	165
DN65	70	66	125	205
DN80	85	81	145	250
DN100	104	100	168	300

活接式视镜  
Union sight glass



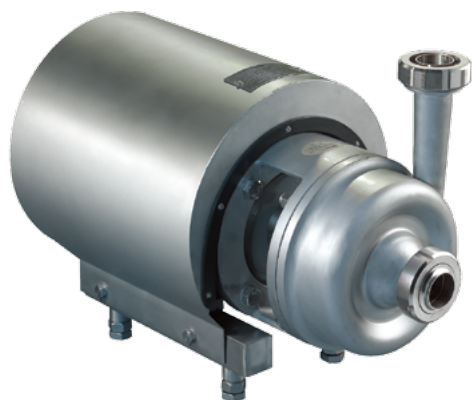
DIN				No.KST-SG006			
DN	A	D	D5	DN	A	D	D5
DN25	35	29	63	DN25	35	29	63
DN32	38	35	70	DN32	38	35	70
DN40	40	41	78	DN40	40	41	78
DN50	42	53	92	DN50	42	53	92
DN65	47	70	110	DN65	47	70	110
DN80	52	85	125	DN80	52	85	125
DN100	62	104	146	DN100	62	104	146

# 卫生级离心泵

www.cnkingstone.com www.china-kst.com



## SANITARY CENTRIFUGAL PUMPS



No. KST - PUMP - C1



No. KST - PUMP - C2

### 技术参数

#### Main parameter

型号	数量 (吨 / 小时)	扬程 (米水柱)	电动功率	进出口径		备注
KST-1.5-14	1.5	14	0.5	40/25	32/25	配 ABB 电机
KST-3-16	3	16	1.1	40/32	38/32	配 ABB 电机
YAH-5-24	5	24	1.5	50/40	38/38	配 ABB 电机
KST-5-32	5	32	2.2	50/40	51/38	配 ABB 电机
KST-10-24	10	24	2.2	50/40	51/38	配 ABB 电机
KST-10-36	10	36	3	50/40	51/38	配 ABB 电机
KST-15-24	15	24	3	50	51	配 ABB 电机
KST-20-24	20	24	4	50	51	配 ABB 电机
KST-20-36	20	36	5.5	50	51	配 ABB 电机
KST-25-24	25	24	4	50/50	51/51	配 ABB 电机
KST-30-24	30	24	5.5	65/50	63/51	配 ABB 电机
KST-30-36	30	36	7.5	65/50	63/51	配 ABB 电机
KST-30-60	30	60	11	65/50	63/51	配 ABB 电机
KST-35-36	35	36	11	65/50	63/51	配 ABB 电机
KST-40-36	40	36	11	80/65	76/63	配 ABB 电机
KST-40-45	40	45	11	80/65	76/63	配 ABB 电机
KST-50-36	50	36	11	80/65	101.6/76	配 ABB 电机
KST-80-30	80	30	15	100/80	101.6/76	配 ABB 电机
KST-80-40	80	40	18.5	100/80		配 ABB 电机
KST-100T-40	100	40	22	125/100		配 ABB 电机
KST-100T-70	100	70	33	125/100		配 ABB 电机
KST-150T-40	150	40	33	150/125		配 ABB 电机
KST-200T-40	200	40	45	150/125		配 ABB 电机
KST-200T-70	200	70	55	150/125		配 ABB 电机

注：调速采用无级变速机或变频器变速，其调速范围200~900rpm。

Note: The speed regulation can adopt stepless speed variator or frequency converter. The range of speed regulation is 200~900rpm.



浙江金斯顿流体设备有限公司  
ZHEJIANG KINGSTONE FLUID EQUIPMENT CO., LTD.

地址：温州经济技术开发区滨海园区明珠路 757 号

Add: No. 757, Mingzhu Road, Binhai Garden,  
Wenzhou Economic Development Zone, China.

电话 (Tel): +86-577-8699 5222

传真 (Fax): +86-577-8699 8689 86995111

邮编 (P.c) : 325025

[www.cnkingstone.com](http://www.cnkingstone.com)

[www.china-kst.com](http://www.china-kst.com)

E-mail: [kingst\\_valve@aliyun.com](mailto:kingst_valve@aliyun.com)

本目录所有产品规格、如有更改恕不另行通知



官方网站



微信公众号



诚招代理商：

